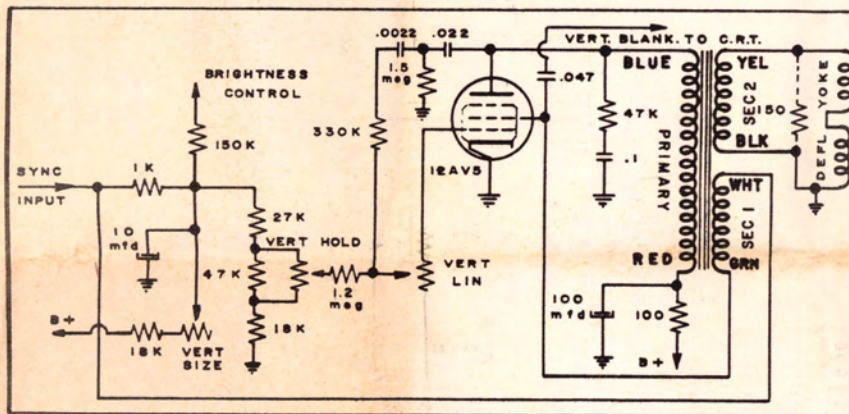


# 26S09

## VERTICAL OUTPUT AND BLOCKING OSCILLATOR TRANSFORMER

### EXACT REPLACEMENT FOR

## *Muntz TO-0045*



Turns Ratio 2.8:1 (Pri. to Sec. 1)  
 Turns Ratio 32:1 (Pri. to Sec. 2)  
 Primary Impedance 9000 ohms at 20 MADC  
 Primary DC resistance..... 310 ohms  
 Secondary #1 DC resistance..... 210 ohms  
 Secondary #2 DC resistance..... .54 ohms

26S09 MAY BE USED IN THE FOLLOWING MUNTZ MODELS.

Models: 621C/T/TS, 721/CBD/82, 721CBS/82, 721CEA/82, 721CMD/82, 721CMS/82, 721CPS/82, 721CPM/82, 721CW/82, 721LTS-B/B-82/M/M-82, 721TB/82, 721TM/82, 721TS/82, 721TSP-BK/82, 721TSP-BL/82/RD/82, 721TSP-WH/82.