

The diode of RF-B45 which is the power supply part - MA724 TX

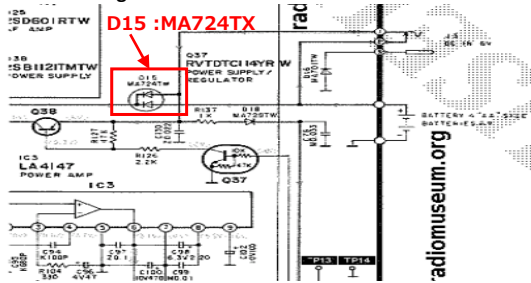
**Picture 1** The circuit diagram of RF-B45  
 My question is about the shape of the diode (D15). The part is on the battery and AC input .

**Picture 2** This data sheet of MA-724TX. 2ch stand-alone diode.  
 There are 2 terminals on upside and downside.

**Picture 3** This picture is the board of my RF-B45 and the part circle in red is MA724.(D15)  
 However **this shape is different from the datasheet**. It seems that there is a common terminal.  
**There are 3 terminals on left side and 1 terminal on right side.**  
 I would like to know what the difference between picture 2 and picture 3??

**Picture 4** I have added the image diagram of RF-B45.  
 I draw the **image diagram** and I would like to know which direction dose the erectric current flow?  
 My diagram is correct?  
 Also I would like to know this real part number, because it is different shape from datasheet of MAX724.

\*Circuit diagram of RF-B45



\*\*Picture 1\*\*

Schottky Barrier Diodes (SBD)

**MA4X724 (MA724)**

Silicon epitaxial planar type

For super high speed switching  
 For small current rectification

- Features
  - Two isolated elements are contained in one package, allowing high-density mounting
  - Two MA3X721 (MA721) is contained in one package (of a type in the same direction)
  - $I_{F(AV)} = 200$  mA rectification is possible
  - Mini type 4-pin package

■ Absolute Maximum Ratings  $T_a = 25^\circ\text{C}$

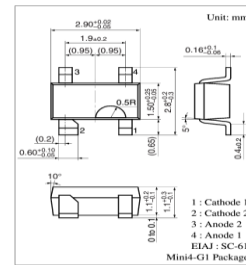
Parameter	Symbol	Rating	Unit
Reverse voltage (DC)	$V_R$	30	V
Repetitive peak reverse-voltage	$V_{RRM}$	30	V
Peak forward current	$I_{FM}$	300	mA
Average forward current	$I_{F(AV)}$	200	mA
Non-repetitive peak forward-surge-current	$I_{FSM}$	1	A
Junction temperature	$T_j$	150	$^\circ\text{C}$
Storage temperature	$T_{stg}$	-55 to +150	$^\circ\text{C}$

Model: 11, Vishay Intertechnology

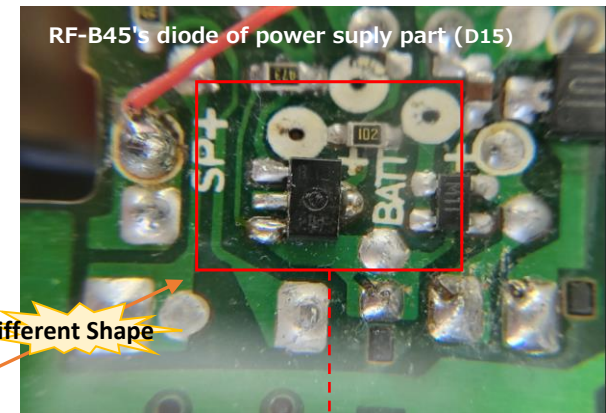
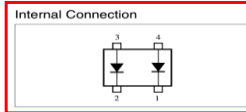
\*\*Picture 2 / Datasheet\*\*

**Panasonic**

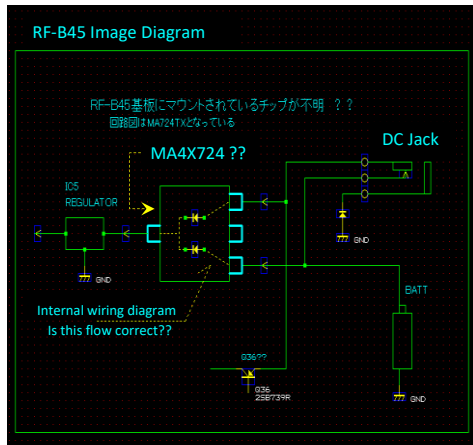
Diode: 2ch Structure



Marking Symbol: M1T



\*\*Picture 3\*\*



\*\*Picture 4\*\*