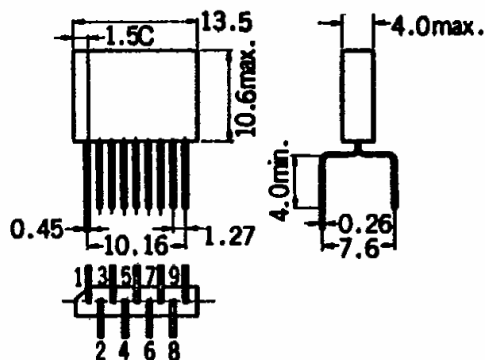
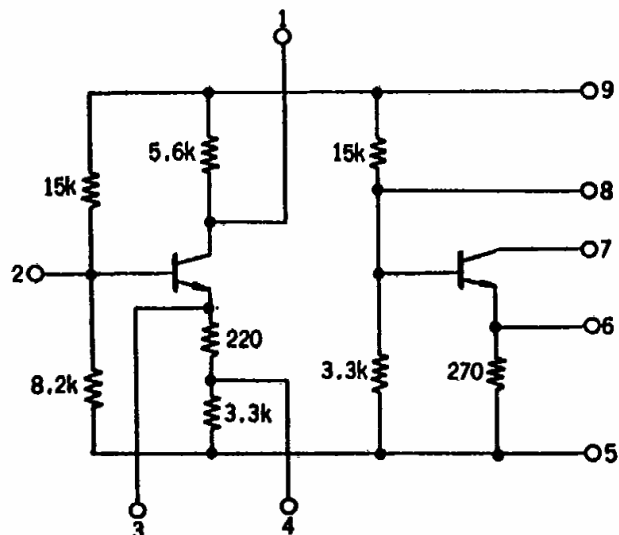




ECG1016

AF PRE-AMPLIFIER MODULE
THIN-FILM HYBRID

EQUIVALENT CIRCUIT



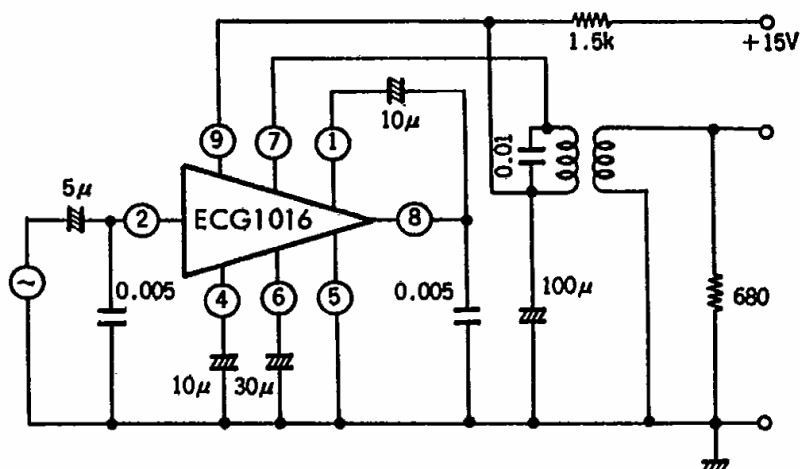
ABSOLUTE MAXIMUM RATINGS AT 25°C FREE AIR

Max. Supply Voltage	Operating Current	Dissipation Power	Storage Temperature	Operating Temperature	Supply Voltage
20 V	20 mA	300 mW	-20 ~ +100 °C	-20 ~ +80 °C	15 V

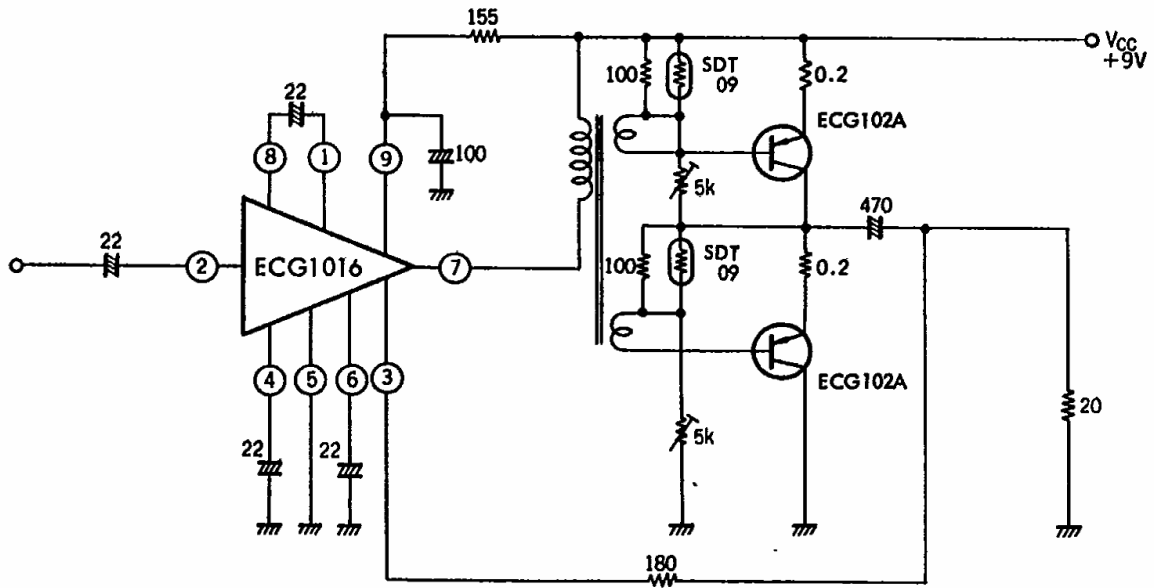
ELECTRICAL AND OPERATING CHARACTERISTICS AT 25°C FREE AIR

Item	Symbol	Test Condition:	ratings			unit
			min.	typ.	max.	
Output Voltage	V_o	$V_{CC} = 15 V, V_{in} = 2 mV, f = 1 kHz$	0.42		0.90	V
Distortion	KF	$V_{CC} = 15 V, V_{in} = 2 mV, f = 1 kHz$			3.0	%

TEST CIRCUIT



APPLICATION: 500 mW AF Amplifier



Supply Voltage V_{CC} +9 V
 Output Power P_o $f = 1$ kHz, $KF = 10\%$ 600 mW
 Voltage Gain V_G $NF = 13$ dB..... 55 dB
 Input Impedance r_i $f = 1$ kHz..... 4.7 k
 Frequency Response..... 70 - 20 kHz

