

June 30, 1959

R. C. KOCH

2,892,931

TRANSISTOR RADIO APPARATUS

Filed March 25, 1955

2 Sheets-Sheet 1

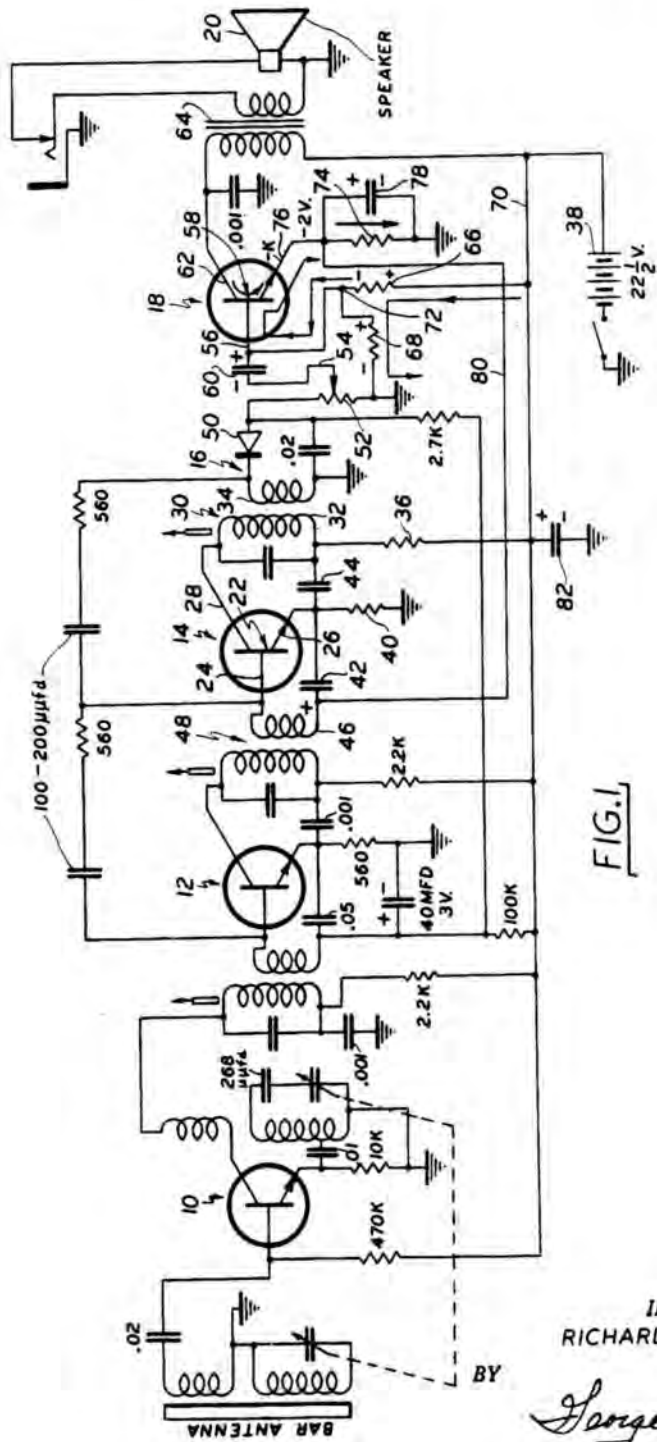


FIG. 1

INVENTOR.
RICHARD C. KOCH

BY *George A. Lust*
ATTORNEY

June 30, 1959

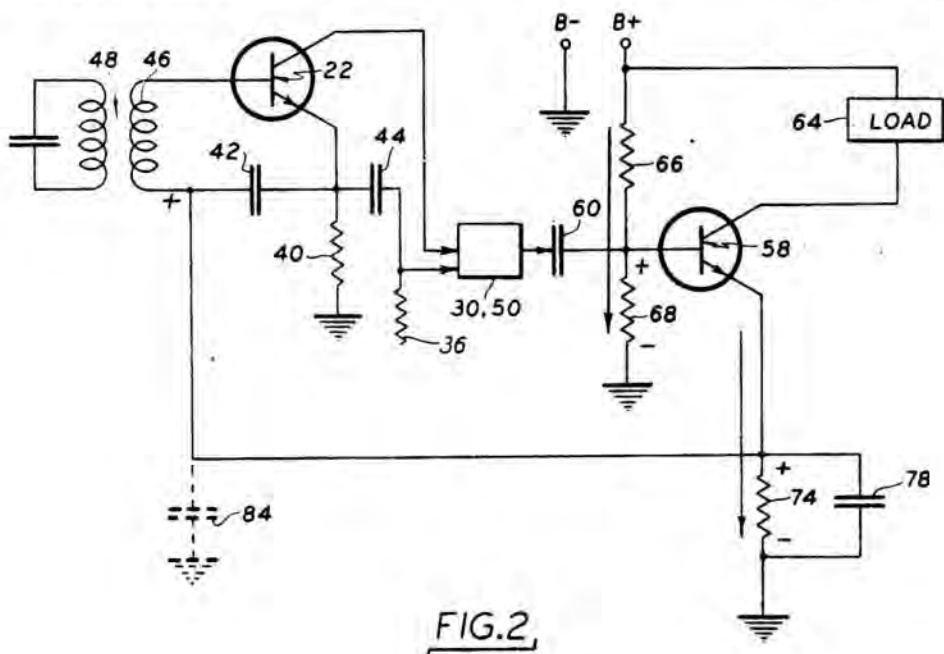
R. C. KOCH

2,892,931

TRANSISTOR RADIO APPARATUS

Filed March 25, 1955

2 Sheets-Sheet 2



INVENTOR.
RICHARD C. KOCH
BY *George h. Gust*
ATTORNEY